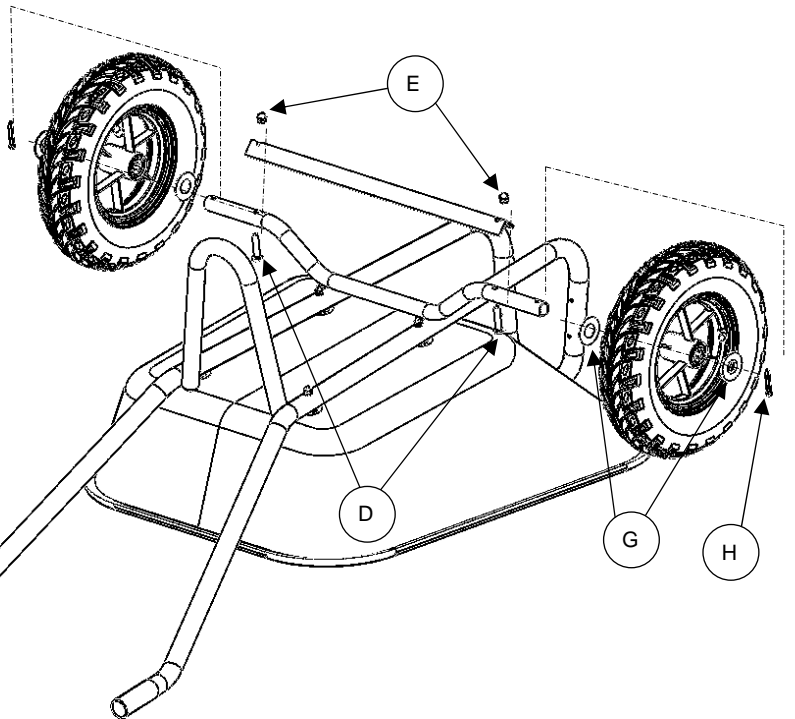
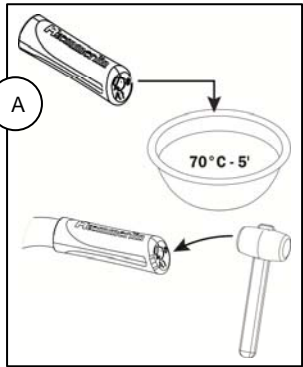
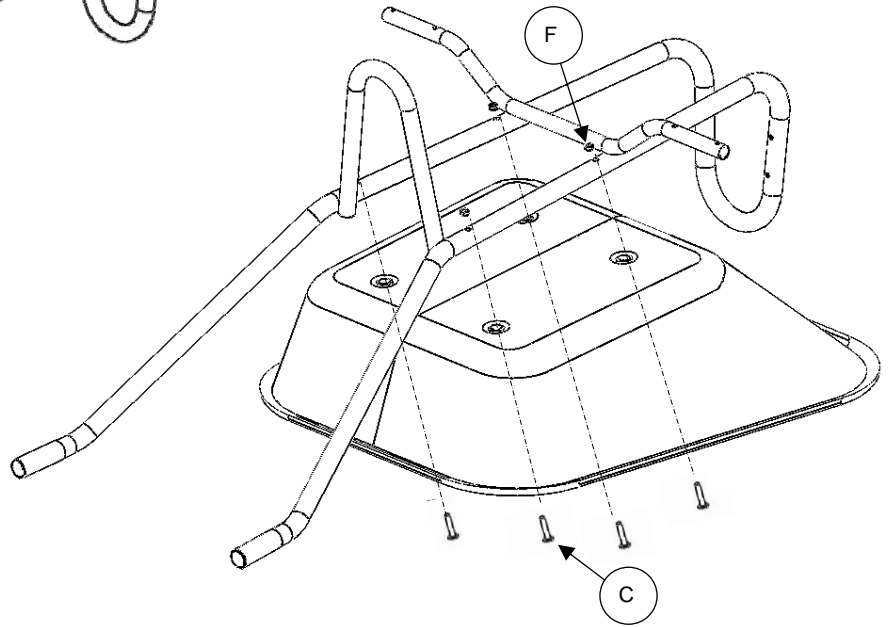
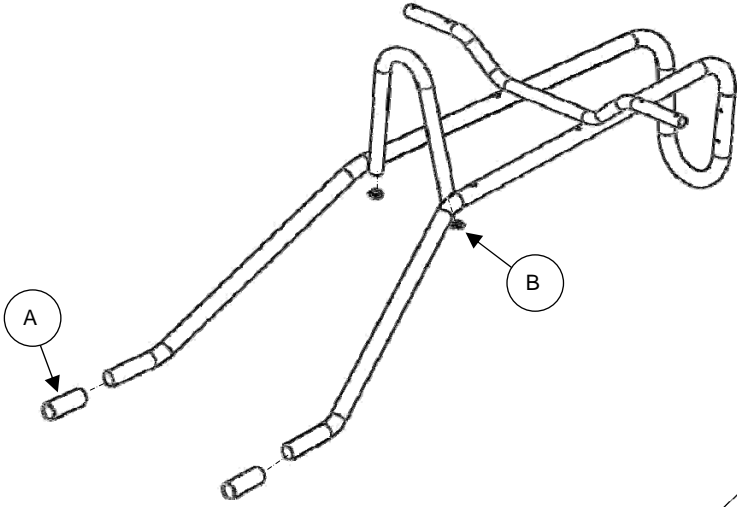
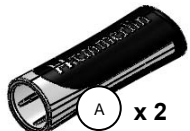



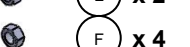





BROUETTE / WHEELBARROW / SCHUBKARRE / ТАЧКА CARGO TWIN PREMIUM 150



-  A x 2
-  B x 2
-  C x 4
-  D x 2
-  E x 2
-  F x 4
-  G x 4
-  H x 2

